



P9000-T16

SERIES



TABLE OF CONTENTS

1. INTRODUCTION..... 2

2. TESTING..... 2

3. LIMITATIONS..... 2

4. GLOSSARY..... 3

5. UNDERSTAND YOUR KEYPAD INDICATORS..... 4

6. SUMMARY OF OPERATION..... 5

7. TELEPHONY CONTROL DIAGRAM..... 7

8. USER PROGRAMMING SUMMARY 8

9. ARMING THE SYSTEM..... 11

10. DISARMING THE SYSTEM..... 15

11. TURN ON/OFF AUTOMATION POINT..... 16

12. BYPASS ZONE..... 17

13. UN-BYPASS ZONE..... 17

14. VIEW SYSTEM TROUBLE..... 18

15. VIEW ALARM MEMORY..... 18

16. CHIME MODE..... 19

17. EMERGENCY SITUATION..... 20

18. PARTIONING THE SYSTEM..... 21

19. ARMING A PARTITIONED SYSTEM..... 21

20. PARTITION DISARMING..... 26

21. USER PROGARMMING MODE..... 27

22. EXIT USER PROGRAMMING MODE..... 27

23. USER CODE..... 27

24. PROGRAM SYSTEM TIMER..... 29

25. PROGRAM PARTITION 1 AUTO ARM TIMER..... 29

26. PROGRAM PARTITION 1 AUTO DISARM TIMER..... 29

27. PROGRAM PARTITION 2 AUTO ARM TIMER..... 30

28. PROGRAM PARTITION 2 AUTO DISARM TIMER..... 30

29. PROGRAM AUTO ON TIMER 1 FOR HOME AUTOMATION..... 31

30. PROGRAM AUTO OFF TIMER 1 FOR HOME AUTOMATION..... 31

31. PROGRAM AUTO ON TIMER 2 FOR HOME AUTOMATION..... 32

32. PROGRAM AUTO OFF TIMER 2 FOR HOME AUTOMATION..... 32

33. PROGRAM AUTO ON TIMER 3 FOR HOME AUTOMATION..... 33

34. PROGRAM AUTO OFF TIMER 3 FOR HOME AUTOMATION..... 33

35. PROGRAM AUTO ON TIMER 4 FOR HOME AUTOMATION..... 34

36. PROGRAM AUTO OFF TIMER 4 FOR HOME AUTOMATION..... 34

37. PROGRAM PERSONAL TELEPHONE NUMBER 1..... 35

38. PROGRAM PERSONAL TELEPHONE NUMBER 2..... 35

39. PROGRAM PERSONAL TELEPHONE NUMBER 3..... 36

40. PROGRAM PERSONAL TELEPHONE NUMBER 4..... 37

41. PROGRAM GSM PERSONAL TELEPHONE NUMBER 1..... 38

42. PROGRAM GSM PERSONAL TELEPHONE NUMBER 2..... 38

43. PROGRAM GSM PERSONAL TELEPHONE NUMBER 3..... 39

44. PROGRAM GSM PERSONAL TELEPHONE NUMBER 4..... 40

45. KEYPAD BUZZER SOUND..... 40

46. TESTING THE SYSTEM..... 41

47. SYSTEM INFORMATION..... 42



INTRODUCTION

The **BLUGUARD** Control Panel is designed for simple operation yet provides the maximum protection for you. Please read this manual carefully and follow the instructions contained in this book. Fill in the system information page and store this manual in a safe place for future reference.

Your security system consists of a main control panel, one or more keypads and home automation (HA) modules, various sensors and detectors. An enclosure will contain the control panel, which includes the system electronics and standby battery.

TESTING

To ensure that your system is functioning, it is important that you test your system weekly. Please refer to testing procedures section in this manual. If your system does not function properly, please contact your system installer for services. There is normally no reason for anyone other than the installer or service professional to have access to the control panel.

LIMITATIONS

Even though BLUGUARD is an advanced security system, it does not 100% guarantee the protection against burglary, fire or other losses. Any alarm system whether commercial or residential is subjected to compromise or failure-to-warn for a variety of reasons. These include:

- Intruders may gain access through unprotected openings or have the technical sophistication to bypass an alarm sensor or disconnect an alarm warning device.
- Intrusion detectors, smoke detectors and many sensing devices will not operate without power. Devices powered by AC will not work if there is no AC power supply for any reason and the back-up battery is missing, dead or improperly installed.
- Alarm warning devices such as sirens may not alert people or wake up sleepers if they are located on the other side of closed or partly closed doors.
- Telephone line needed to transmit alarm events from the premise to a central monitoring station may be out or temporary out of service. Telephone line is subject to compromise by sophisticated method of attack.
- Smoke detector used in conjunction with the alarm system may not sense fire that start from where smoke cannot reach the detector such as wall, roof or the other side of the doors. Smoke detector also may not sense a fire on another level of the residence or building. In general, detectors may not always warn you about fire caused by carelessness and safety hazards like smoking, violent explosions, escaping gas, improper storage of flammable material, overloaded electrical circuits, children playing with matches.
- The most common cause of an alarm system not functioning properly when an intrusion or fire occurs is inadequate maintenance. Therefore, your system should be tested weekly to ensure all detectors or sensors are working properly.
- Installing an alarm system may make you eligible for lower insurance rates but an alarm system is not a substitute for insurance. Homeowners, property owners and renters should continue to insure their lives and properties.

SYSTEM INFORMATION

Central Monitoring Station Number : _____

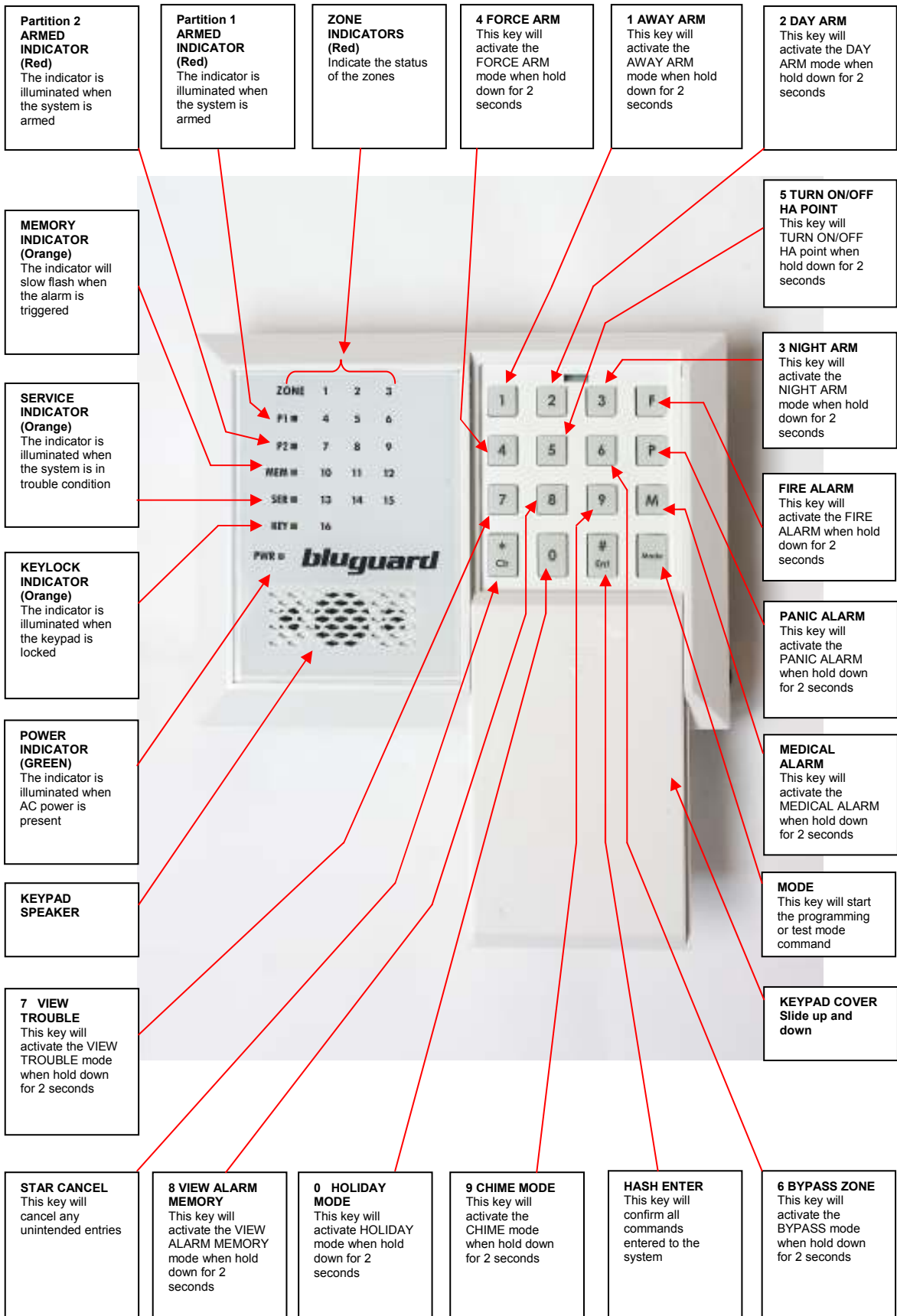
Central Monitoring Station Account Number : _____

Note: All information is subject to changes without prior notice.

GLOSSARY

Alarm Memory	This is the history of the most recent violations that occurred the last time when an alarm was triggered.
Arm	To set the system into the ARMED mode. In this mode, a zone violation will activate an alarm condition. If the system is programmed accordingly, it will cause a reporting code to be sent to the central monitoring station.
Bypass	To deactivate zone. When the panel is ARMED, violation of a bypassed zone will be ignored.
Chime	A short beep sound from the keypad to indicate a zone is violated.
Day Arm	Instant arming that allows for certain preprogrammed, DAY STAY zones to be violated while the system is armed. In this mode, an ENTRY delay time will be given to the user to disarm using the keypad after entering the armed premises.
Day Stay Zone	Zones that are bypassed automatically when the system is DAY ARMED.
Disarm	To deactivate the system. FIRE, PANIC and MEDICAL remain active while the system is disarmed.
Duress Code	An ambush code which will disarm the system and simultaneously send a silent distress signal to the central monitoring station.
Entry/Exit Zone	A zone with programmable delay time will allow user to exit the premises after arming the system and disarm by using the keypad after entering the armed premises. This zone is generally the last exit point and the first entry point of the building, i.e. the front door of a house.
Follower Zone	A zone that may be temporary violated during exit delay period or after the first violation of an ENTRY/EXIT zone. This allows the user access to disarm the system. A FOLLOWER zone will behave as an instant zone if it is violated prior to the violation of an ENTRY/EXIT zone.
Force Arm	Arming with exit delay that allows for certain violated zones to be bypassed temporary. When the violated zones resume, these zones will be protected. There is an ENTRY delay time in this arming mode.
Home Automation (HA)	Optional system expander module that allows you to control different light and appliances from any keypad, remote telephone, cellular phone. It can also be programmed to turn on/off light at certain time daily or during alarm condition.
Instant Zone	When the system is armed, any violation of an instant zone will immediately cause an alarm condition to be registered.
Master Code	Master code is a 4-digit personal identification number that allows you to enter certain programming mode, arm or disarm the system and remotely control the system via telephone line.
Night Arm	Instant arming that allows for certain preprogrammed, NIGHT STAY zones to be violated while the system is armed. In this mode, there is no ENTRY delay time for the user.
Night Stay Zone	Zones that are bypassed automatically when the system is NIGHT ARMED.
Partitioning	A partitioned system is a single physical security system that provides independent areas of protection intended for use by independent users.
Remote Control Arm	Arming with a momentary or latch remote control module. In this mode, it allows certain violated zones to be bypassed temporary. When the violated zones resume, the zone will be protected. There is an ENTRY and EXIT delay time in this arming mode.
User Code	User code is a 4-digit personal identification number that allows you to arm or disarm the system.
Zone	A specific area of your premises guarded by sensors, which detect violations of that area.

UNDERSTAND YOUR KEYPAD INDICATORS





SUMMARY OF OPERATION

SECURITY CONTROL (Normal Mode)	
Intelligent Disarm	[4-digit User Code] + [#]
Intelligent Arming	[4-digit User Code] + [#]
Away Arm	Hold down [1] for 2 seconds
Day Arm	Hold down [2] for 2 seconds
Night Arm	Hold down [3] for 2 seconds
Force Arm	Hold down [4] for 2 seconds
Holiday Mode Arming	Hold down [0] for 2 seconds

SECURITY CONTROL (PARTITION Enabled)	
Intelligent Disarm	[4-digit User Code] + [#] + [1] for Partition 1 or [2] for Partition 2
Intelligent Arming	[4-digit User Code] + [#] + [1] for Partition 1 or [2] for Partition 2
Away Arm	Hold down [1] for 2 seconds + [1] for Partition 1 or [2] for Partition 2
Day Arm	Hold down [2] for 2 seconds + [1] for Partition 1 or [2] for Partition 2
Night Arm	Hold down [3] for 2 seconds + [1] for Partition 1 or [2] for Partition 2
Force Arm	Hold down [4] for 2 seconds + [1] for Partition 1 or [2] for Partition 2
Holiday Mode Arming	Hold down [0] for 2 seconds + [1] for Partition 1 or [2] for Partition 2

SYSTEM OPERATION	
Turn On/Off Home Automation Point	Hold down [5] for 2 seconds + [HA point numbers 01 to 16] + [#]
Bypass Security Zone	Hold down [6] for 2 seconds + [zone numbers 01 to 16] + [#]
View System Trouble	Hold down [7] for 2 seconds
View Alarm Memory	Hold down [8] for 2 seconds
Program Chime Zone	Hold down [9] for 2 seconds + [zone numbers 01 to 16] + [#]

Remark:
 To enter zone number more than 9, press button [F] to represent the ten's digit.
 e.g. To enter zone number 15, press [F] + [5].



SUMMARY OF OPERATION

EMERGENCY	
Fire	Hold down [F] for 2 seconds
Panic	Hold down [P] for 2 seconds
Medical	Hold down [M] for 2 seconds

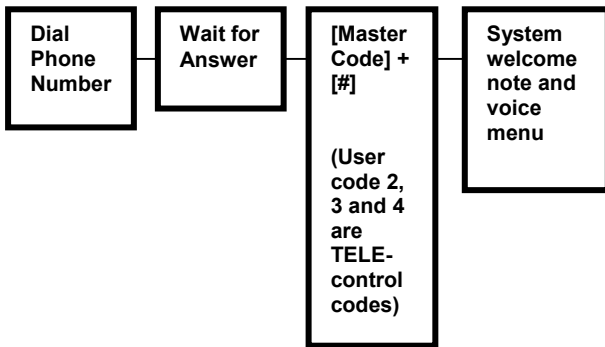
PGM OUTPUT CONTROL	
ON/OFF PGM Output 1	[MODE] [7] [1] [#]
ON/OFF PGM Output 2	[MODE] [7] [2] [#]

TESTING THE SYSTEM	
Sensor Walk Test	[MODE] [1] [#]
CMS Reporting Test	[MODE] [2] [#]
Siren Test	[MODE] [3] [#]
Strobe Light Test	[MODE] [4] [#]
Battery Test	[MODE] [5] [#]
Mute Keypad Buzzer	[MODE] [6] [#]

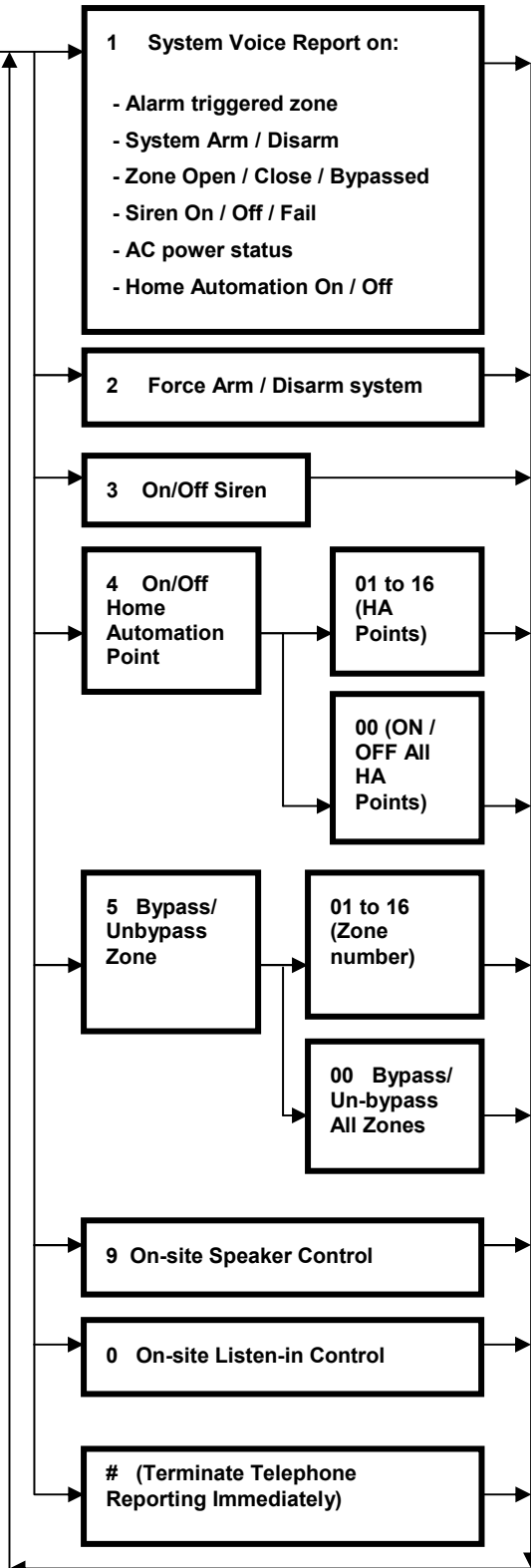
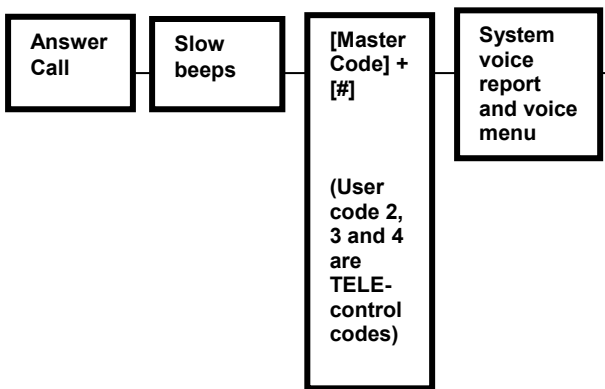
USER PROGRAMMING MODE	
Enter User Programming Mode	[MODE] [4-digit Master Code] [#]
Exit User Programming Mode	[MODE] [#]

P900-T16 & GSM MODULE TELEPHONY CONTROL DIAGRAM

Call In to System:



System Call Out:



Remark:

The system will automatically cut off telephone line if the user does not key in any number for more than 60 seconds or key in wrong master code more than 3 times.

Master code, User code 2, User code 3 and user code 4 are Telephone remote access codes.

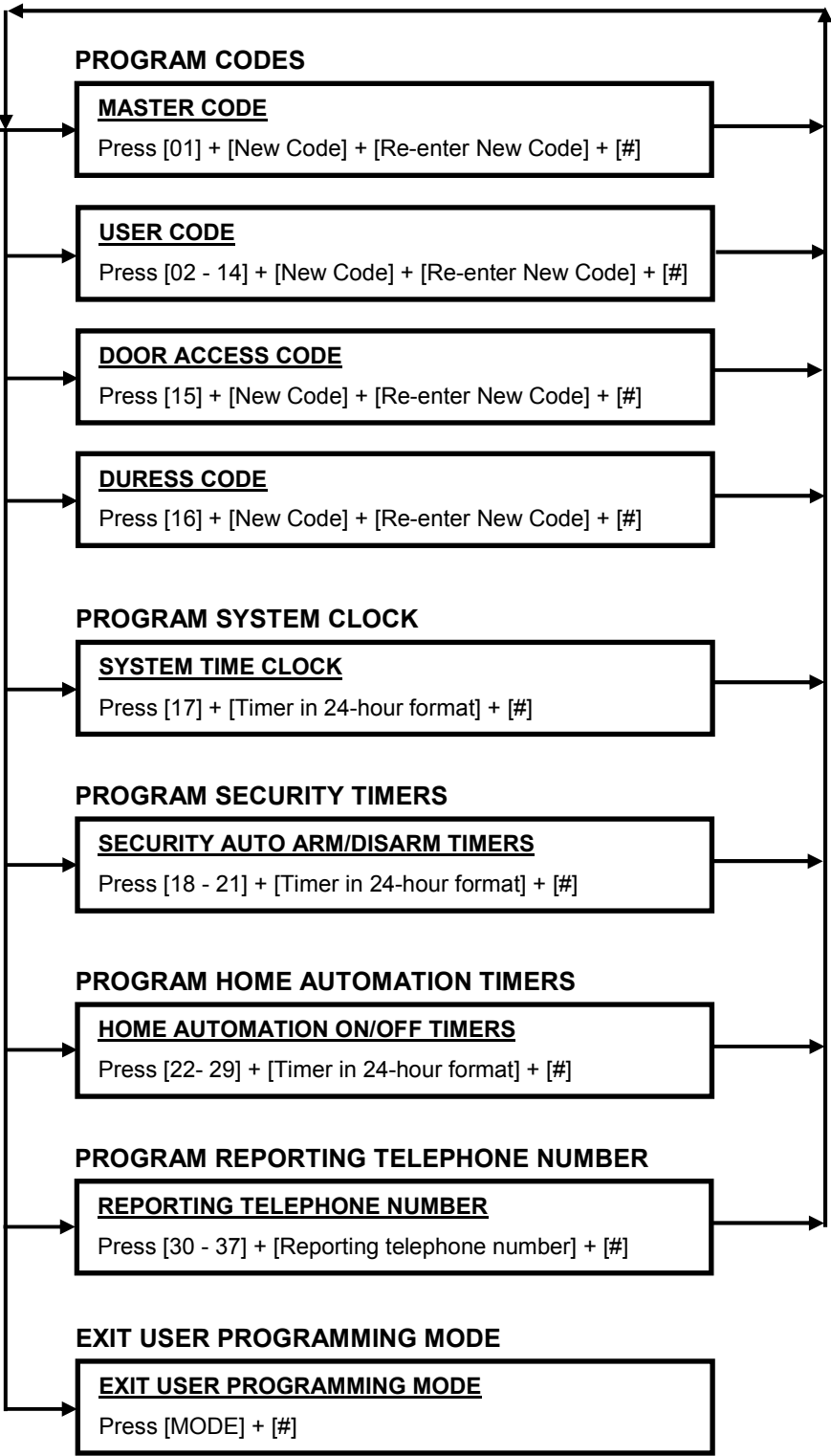
USER PROGRAMMING SUMMARY DIAGRAM

ENTER USER PROGRAMMING MODE

[*] + [MODE] + [Master Code] + [#]

Correct code or step – 2 beeps

Wrong code or step – 1 long beep





USER PROGRAMMING SUMMARY TABLE

Enter User Programming Mode	[*] + [MODE] + [4-digit Master Code] + [#]
Exit User Programming Mode	[MODE] + [#]
Program New or Change Existing	
Master Code	[01] + [New Master Code] + [Re-enter New Master Code] + [#]
Program New or Change Existing	
User Code 2 (Telephone-code)	[02] + [New User Code] + [Re-enter New User Code] + [#]
User Code 3 (Telephone-code)	[03] + [New User Code] + [Re-enter New User Code] + [#]
User Code 4 (Telephone-code)	[04] + [New User Code] + [Re-enter New User Code] + [#]
User Code 5	[05] + [New User Code] + [Re-enter New User Code] + [#]
User Code 6	[06] + [New User Code] + [Re-enter New User Code] + [#]
User Code 7	[07] + [New User Code] + [Re-enter New User Code] + [#]
User Code 8	[08] + [New User Code] + [Re-enter New User Code] + [#]
User Code 9	[09] + [New User Code] + [Re-enter New User Code] + [#]
User Code 10	[10] + [New User Code] + [Re-enter New User Code] + [#]
User Code 11	[11] + [New User Code] + [Re-enter New User Code] + [#]
User Code 12	[12] + [New User Code] + [Re-enter New User Code] + [#]
User Code 13	[13] + [New User Code] + [Re-enter New User Code] + [#]
User Code 14	[14] + [New User Code] + [Re-enter New User Code] + [#]
Program New or Change Existing	
User Code 15 (Door Access Code)	[15] + [New User Code] + [Re-enter New User Code] + [#]
Program New or Change Existing	
Duress Code	[16] + [New User Code] + [Re-enter New User Code] + [#]
<p>Remark:</p> <ol style="list-style-type: none"> All programmed codes must be unique from each other. Duplicate code will be rejected during user programming mode. Door Access Code is not a security code. This code cannot ARM/DISARM the security system. Door Access Code is a special code programmed to control your door access system. Master code, User Code 2, User Code 3 and User Code 4 are telephone remote access codes. These codes can ARM/DISARM the security system via local keypad or via telephone remote access. 	

USER PROGRAMMING SUMMARY TABLE	
---------------------------------------	--

Program System Timer	
System Clock	[17] + [Current Time in 24-hour Format] + [#]
Program Security Timers	
Partition 1 Auto Arm Timer	[18] + [Partition 1 Security Auto ARM Timer] + [#]
Partition 1 Auto Disarm Timer	[19] + [Partition 1 Security Auto DISARM Timer] + [#]
Partition 2 Auto Arm Timer	[20] + [Partition 2 Security Auto ARM Timer] + [#]
Partition 2 Auto Disarm Timer	[21] + [Partition 2 Security Auto DISARM Timer] + [#]

Program Home Automation Timers	
Home Automation Auto ON Timer 1	[22] + [Home Automation Auto ON Timer 1] + [#]
Home Automation Auto OFF Timer 1	[23] + [Home Automation Auto OFF Timer 1] + [#]
Home Automation Auto ON Timer 2	[24] + [Home Automation Auto ON Timer 2] + [#]
Home Automation Auto OFF Timer 2	[25] + [Home Automation Auto OFF Timer 2] + [#]
Home Automation Auto ON Timer 3	[26] + [Home Automation Auto ON Timer 2] + [#]
Home Automation Auto OFF Timer 3	[27] + [Home Automation Auto OFF Timer 2] + [#]
Home Automation Auto ON Timer 4	[28] + [Home Automation Auto ON Timer 2] + [#]
Home Automation Auto OFF Timer 4	[29] + [Home Automation Auto OFF Timer 2] + [#]
Remark: All programmed timer must be in 24-hour format e.g. 7 am = 07 00, 8 pm = 20 00.	

Program Reporting Telephone Number (Fixed-line)	
Program Fixed Line Personal Telephone Number 1	[30] + [Fixed-line Personal Telephone Number 1] + [#]
Program Fixed Line Personal Telephone Number 2	[31] + [Fixed-line Personal Telephone Number 2] + [#]
Program Fixed Line Personal Telephone Number 3	[32] + [Fixed-line Personal Telephone Number 3] + [#]
Program Fixed Line Personal Telephone Number 4	[33] + [Fixed-line Personal Telephone Number 4] + [#]

Program Reporting Telephone Number (OPTIONAL GSM Module)	
Program GSM Personal Telephone Number 1	[34] + [GSM Personal Telephone Number 1] + [#]
Program GSM Personal Telephone Number 2	[35] + [GSM Personal Telephone Number 2] + [#]
Program GSM Personal Telephone Number 3	[36] + [GSM Personal Telephone Number 3] + [#]
Program GSM Personal Telephone Number 4	[37] + [GSM Personal Telephone Number 4] + [#]
Remark: Button "P" on the keypad is representing a "PAUSE" key of 5 seconds duration, Button "M" on the keypad is representing a "*" key of telephone system.	

ARMING THE SYSTEM

There are various options for arming the system

- a. **Partition Arming**
- b. **Away Arming**
- c. **Day Arming**
- d. **Night Arming**
- e. **Force Arming**
- f. **Holiday Arming**
- g. **Remote Control Away Arming**
- h. **Timer Auto Arming**
- i. **Telephone Remote Arming**

For information on how to ARM Partition system, please refer to PARTITIONING THE SYSTEM at page 21.

AWAY ARMING

[*] + [USER CODE] + [#]

(Leave via ENTRY/EXIT Zone)

1. Ensure that all zone indicators are distinguished; if not, check that all protected premises are closed.
2. Press the **[*]** key to cancel any unintended entries.
3. Enter a valid 4-digit **[USER CODE]**. If you enter any mistakes, press **[*]** key and re-enter the code followed by **[#]** key to confirm you command.
4. The **P1** indicator will illuminate and the keypad audible indicator will sound on and off for the duration of the **EXIT** delay. Any bypassed zones will be shown by the flashing zone indicators.
5. Leave the premises only via the **EXIT/ENTRY** zone.
6. During AWAY arming, the telephone line will be supervised hourly. If the telephone line is disconnected, a new trouble condition will be registered (please refer to View System Trouble at page 18).
7. User will be given an **ENTRY** delay time to disarm the system when enter the protected premises via **ENTRY/EXIT** zone.

[1]

(Press and hold down for 2 seconds)

8. It is also possible to AWAY arm by simply enter and hold down **[1]** key for 2 seconds.

DAY ARMING**[2]**

(Press and hold down for 2 seconds)

1. This arming mode is ideal for **DAY** time arming with user still remains in the protected premises.
2. In this mode, the system will be armed instantly with certain preprogrammed, **DAY STAY** zones bypassed automatically.
3. Ensure that all zone indicators are distinguished; if not, check that all protected premises are closed.
4. DO NOT open the **ENTRY/EXIT** zone.
5. Enter and hold down **[2]** key for 2 seconds.
6. The **P1** indicator will illuminate and the keypad audible indicator will sound 2 beeps to confirm the arming.
7. Any **DAY STAY** zones will be automatically bypassed (shown by flashing zone indicators).
8. User will be given an **ENTRY** delay time to DISARM the system when enter the protected premises via **ENTRY/EXIT** zone.

NIGHT ARMING**[3]**

(Press and hold down for 2 seconds)

1. This arming mode is ideal for **NIGHT** time arming with user still remains in the protected premises.
2. In this mode, the system will be armed instantly with certain preprogrammed, **NIGHT STAY** zones bypassed automatically.
3. Ensure that all zone indicators are distinguished; if not, check that all protected premises are closed.
4. DO NOT open the **ENTRY/EXIT** zone.
5. Enter and hold down **[3]** key for 2 seconds.
6. The **P1** indicator will illuminate and the keypad audible indicator will sound 2 beeps to confirm the arming.
7. Any **NIGHT STAY** zones will be automatically bypassed (shown by flashing zone indicators).
8. There is no **ENTRY** delay in this arming mode. Any violation on the active zones will trigger the system instantly.

FORCE ARMING**[4]**

(Press and hold down for 2 seconds)

1. In this mode, the system will be armed with **EXIT** delay time which allows certain violated zones to be bypassed temporary. When the violated zones resume, the zone will be protected again.
2. Enter and hold down **[4]** key for 2 seconds.
3. The **P1** indicator will illuminate and the keypad audible indicator will sound on and off for the duration of the **EXIT** delay. Any bypassed zones will be shown by the flashing zone indicators.
4. User will be given an **ENTRY** delay time to DISARM the system when enter the protected premises via **ENTRY/EXIT** zone.

HOLIDAY ARMING**[0]**

(Press and hold down for 2 seconds)

1. This arming mode is ideal for long away occasion (holiday).
2. In this mode, the system will be **AWAY** armed. Home Automation points will be random ON/OFF every hour to simulate occupancy from 7pm to 1am.
3. Ensure that all zone indicators are distinguished; if not, check that all protected premises are closed.
4. Enter and hold down **[0]** key for 2 seconds.
5. The **P1** indicator will illuminate and the keypad audible indicator will sound on and off for the duration of the **EXIT** delay. Any bypassed zones will be shown by the flashing zone indicators.
6. Leave the premises only via the **EXIT/ENTRY** zone.
7. User will be given an **ENTRY** delay time to disarm the system when enter the protected premises via **ENTRY/EXIT** zone.
8. After disarming, Home Automation random ON/OFF function will be deactivated and the system will resume to normal Home Automation ON/OFF timers setting.

REMOTE CONTROL ARMING

1. This arming mode is ideal for remote control unit or key-switch arming.
2. The system will arm in **AWAY** arming mode.
3. The system will be armed with **EXIT** delay time which allows certain violated zones to be bypassed temporary. When the violated zones resume, the zone will be protected again.
4. Press the remote control button or twist and release the key-switch.
5. The system will be armed instantly. Leave the premises via **ENTRY/EXIT** zone.
6. The **P1** indicator will illuminate and the keypad audible indicator will sound 2 beeps to confirm the arming.
7. If programmed to do so, the siren will sound briefly for this remote control arming (please refer to Installer Programming section – system option setting).
8. User will be given an **ENTRY** delay time to DISARM the system when enter the protected premises via **ENTRY/EXIT** zone.

TIMER AUTO ARMING

1. Your system can be programmed to automatically **ARM** itself according to a programmed schedule.
2. This arming mode will automatically turn to **FORCE ARM** mode when the system timer reaches the preset **AUTO ARM** time.
3. Please refer to User Programming section – Program Auto ARM Timers.

TELEPHONE REMOTE ARMING

1. Your system can be remotely ARM from outside the house through any normal DTMF telephone or GSM hand phone.
2. This arming mode will automatically turn to **FORCE ARM** mode when the user enter a correct Master Code through Telephone or hand phone.
3. Master code, User code 2, User code 3, and User code 4 are allow to telephone remote access the system.
4. Please refer to Telephone Control Diagram at page 6.

DISARMING THE SYSTEM

There are various options for disarming the system:

- a. **Partition Disarming**
- b. **Keypad Disarming**
- c. **Remote Control Disarming**
- d. **Timer Auto Disarming**
- e. **Telephone Remote Disarm**

For information on how to DISARM Partition system, please refer to PARTITIONING THE SYSTEM at page 21.

KEYPAD DISARMING

[USER CODE] + [#]

1. To disarm the system, enter a valid 4-digit **[USER CODE]** followed by **[#]** key before expiry of the entry delay time.
2. Enter the premises through a designated **ENTRY/EXIT** zone; entering via other zones will trigger an alarm instantly.
3. The **ENTRY** delay begins once the **ENTRY** zone is violated.
4. The keypad audible indicator will sound for the duration of the **ENTRY** delay to indicate that a valid user code is required.
5. If the **P1** indicator remains illuminated, an error has been made while entering the user code, press **[*]** key and re-enter the user code.
6. Once the system is disarmed, the **P1** indicator will extinguish and the keypad audible indicator will stop.
7. If no valid user code has been entered by the end of the **ENTRY** delay period, an **ALARM** condition will be registered and stored into the system **MEMORY**.
8. If programmed to do so, the keypad will be locked and non-responsive for a preprogrammed period for certain number of incorrect user codes, which are entered consecutively more than the keypad lock counter.
9. If the **ENTRY** delay is too short, have your installer to change the **ENTRY** delay period.
10. If the **MEMORY** indicator is flashing upon entry, there has been an intrusion. Call for assistance. The intruder may still be inside.

REMOTE CONTROL DISARMING

1. To instantly disarm the system, press the remote control button or twist and release the key-switch.
2. If the **P1** indicator remains illuminated, press the remote control button or twist and release the key-switch again.
3. The system will be disarmed instantly. The **P1** indicator will extinguish and the keypad audible indicator will sound 2 beeps to confirm the disarming.
4. If programmed to do so, the siren will sound briefly for this remote control disarming. (Please refer to Installer Programming Section – System Option Setting).

BYPASS ZONE

[6]
(Press and hold down for 2 seconds)

+ [ZONE NUMBERS] + [#]
(1 to 16)

1. Enter and hold down **[6]** key for 2 seconds.
2. The **P1** and **KEYLOCK** indicators will slow flash and keypad audible indicator will sound 2 beeps.
3. Press the zone number that needs to be bypassed, e.g. press **[2]** if you wish to bypass zone 2.
4. To enter zone number more than 9, press button [F] to represent the ten's digit.
5. E.g. To enter zone number 12, press [F] + [2], zone number 16 press [F] + [6].
6. Repeat step 3 to bypass other zones.
7. Press **[#]** key to exit the bypass mode and keypad audible indicator will sound 2 beeps to confirm the command.
8. To bypass all zones at once, enter **[0]** key followed by **[#]**.
9. Keypad audible indicator will sound 2 beeps to confirm the command and the system will be back to normal mode.
10. The relevant **ZONE** indicator will slow flash to indicate that the zone is bypassed now.
11. Zones cannot be bypassed once the system is armed.
12. All bypassed zones will be automatically un-bypassed each time the system is disarmed and must be reapplied before the next arming.

UN-BYPASS ZONE

[6]
(Press and hold down for 2 seconds)

+ [ZONE NUMBERS] + [#]
(1 to 16)

1. Enter and hold down **[6]** key for 2 seconds.
2. The **P1** and **KEYLOCK** indicators will slow flash and keypad audible indicator will sound 2 beeps.
3. Press the zone number corresponding to the current bypassed zone.
4. To enter zone number more than 9, press button [F] to represent the ten's digit.
5. E.g. To enter zone number 12, press [F] + [2], zone number 16 press [F] + [6].
6. Repeat step 3 to un-bypass other zones.
7. Press **[#]** key to exit the un-bypass mode and keypad audible indicator will sound 2 beeps to confirm the command.
8. To un-bypass all zones at once, enter **[0]** key followed by **[#]**.
9. Keypad audible indicator will sound 2 beeps to confirm the command and the system will be back to normal mode.
10. The relevant **ZONE** indicator will extinguish to indicate that the zone is now active.

VIEW SYSTEM TROUBLE**[7]**

(Press and hold down for 2 seconds)

1. The system will monitor a number of possible trouble conditions. If one of these conditions occurs, the **SERVICE** indicator will turn ON.
2. The **SERVICE** indicator will still be illuminated until the trouble is restored.
3. Enter and hold down **[7]** key for 2 seconds.
4. The **SERVICE** and **KEYLOCK** indicators will slow flash and keypad audible indicator will sound 2 beeps.
5. One or more **ZONE** indicators will turn ON to indicate the troubles occur.
6. Press **[#]** key to exit and keypad audible indicator will sound 2 beeps.

ZONE 1 indicator	AC Loss
ZONE 2 indicator	Real Time Clock Loss (Program System Timer - refer to page 24)
ZONE 3 indicator	Siren Fail
ZONE 4 indicator	Battery Low Voltage
ZONE 5 indicator	Telephone Line/GSM CMS Reporting Fail
ZONE 6 indicator	Telephone Line/GSM Personal Reporting Fail
ZONE 7 indicator	Telephone Line Connection Fail

Remark: Zone 1, 2, 3 and 4 indicators will only be extinguished after the troubles are restored.
Zone 5, 6 and 7 indicators will be extinguished when they are viewed once.

VIEW ALARM MEMORY**[8]**

(Press and hold down for 2 seconds)

1. The system alarm memory will store the most recent alarm condition. An alarm condition will cause the **MEMORY** indicator to slow flash.
2. The **MEMORY** indicator will extinguish once the user enters **VIEW ALARM MEMORY** mode.
3. Enter and hold down **[8]** key for 2 seconds.
4. The **MEMORY** indicator will turn ON and keypad audible indicator will sound 2 beeps.
5. One or more **ZONE** indicators will turn ON to indicate the zones that cause the most recent alarm.
6. Press **[#]** key to exit and keypad audible indicator will sound 2 beeps.

CHIME MODE

The chime mode allows user to monitor nominated zones while the system is disarmed. The audible indicator will sound briefly when the nominated zone is violated – the siren will NOT sound. If you wish to know there is someone enters or exits the front door, the keypad will beep once when the door is opened provided the zone is a chime zone.

[9] + **[ZONE NUMBERS] + [#]**
(Press and hold down for 2 seconds) (1 to 16)

1. Press and hold down **[9]** key for 2 seconds.
2. The **POWER** and **KEYLOCK** indicators will slow flash and keypad audible indicator will sound 2 beeps.
3. To change any zone to chime zone, just press the key corresponding to that zone. The zone indicator will illuminate constantly.
4. To enter zone number more than 9, press button [F] to represent the ten's digit.
5. E.g. To enter zone number 12, press [F] + [2], zone number 16 press [F] + [6].
6. Press **[#]** key to exit the chime mode and keypad audible indicator will sound 2 beeps to confirm the command.

e.g. To program zone 3 and zone 4 as CHIME zones:

Press and hold down **[9]** for 2 seconds + **[3] + [4] + [#]**

Keypad audible indicator will sound 2 beeps to confirm the command. Zone 3 and 4 are now CHIME zones.

TO CANCEL CHIME ZONE:

Repeat the above steps and ensure that the zone indicator is extinguished.

EMERGENCY SITUATION

FIRE MODE

[F]

(Press and hold down for 2 seconds)

1. This key will activate the FIRE ALARM condition when it is held down for 2 seconds.
2. The FIRE ALARM condition can also be triggered by an installed smoke detector, which is set as fire zone.
3. The siren will sound and the FIRE REPORTING CODE will be transmitted to the central monitoring station.
4. To silence the siren, enter a 4-digit user code followed by [#] key.

PANIC MODE

[P]

(Press and hold down for 2 seconds)

1. This key will activate the PANIC ALARM condition when it is held down for 2 seconds.
2. The PANIC ALARM condition can also be activated by any FIXED or REMOTE PANIC button that has been installed.
3. If the panic button is set as silent zone, then the PANIC REPORTING CODE will be transmitted to the central monitoring station without the siren sounding. Ensure that your installer has enabled this function if it is required.
4. To silence the siren, enter a valid 4-digit user code followed by [#] key. If the siren is not cancelled, it will stop automatically after the SIREN TIME OUT period.
5. Press this key only in an emergency situation that requires response by emergency personnel.

MEDICAL MODE

[M]

(Press and hold down for 2 seconds)

1. This key will activate the MEDICAL ALARM condition when it is held down for 2 seconds.
2. The keypad audible indicator will sound to indicate that a MEDICAL ALARM has been initiated.
3. The siren will sound and the MEDICAL REPORTING CODE will be transmitted to the central monitoring station.
4. To silence the siren, enter a 4-digit user code followed by [#] key.

DURESS CODE

1. This is a special 4-digit user code that is only used in the unique situation where an intruder forces one to disarm the system "under duress".
2. When the duress code is entered, the control panel will be disarmed. However, a DURESS REPORTING CODE is transmitted to the central monitoring station to inform them that you have been forced to disarm the control panel by an intruder.
3. It is advisable to choose a code that can be easily remembered by all family (or staff) members.

PARTITIONING THE SYSTEM

Depending on your need, your installer can program your control panel to recognize and control 2 separate areas (Partition 1 and Partition 2) by activating the system's partitioning feature. User codes can also be programmed to ARM/DISARM one partition or both partitions simultaneously. You can use partitioning in installations where shared systems are more practical, such as office/warehouse buildings, or apartment/condominium complexes

ARMING A PARTITIONED SYSTEM

Zones can be divided into two systems. Based on your requirements, the installer designates which zones belong to Partition 1 and Partition 2, both partitions (dual area), or are not given any partition assignment. A zone belonging to a 2 partitions is armed only when both Partition 1 and Partition 2 are armed. However, this sharing zone will be disarmed if either Partition 1 or Partition 2 is disarmed. The installer must program the required user code settings. These settings determine which user codes can arm Partition 1, as well as which user codes can arm Partition 2. Codes can also be given access to both partitions.

AWAY ARMING 2 PARTITIONS SIMULTANEOUSLY

If your user code has access to both partitions

[*] + [USER CODE] + [#] + [1] + [2]
(Leave via ENTRY/EXIT Zone)

1. Ensure that all zone indicators are distinguished; if not, check that all protected premises are closed.
2. Press the [*] key to cancel any unintended entries.
3. Enter a valid 4-digit [USER CODE]. If you enter mistakes, press [*] key and re-enter the code followed by [#] key to confirm your command.
4. If the key in user code is assigned to control 2 partitions, zone indicators 1 and 2 will flash. Enter key [1] followed by key [2].
5. The P1 and P2 indicators will illuminate and the keypad audible indicator will sound on and off for the duration of the EXIT delay. Any bypassed zones will be shown by the flashing zone indicators.
6. Leave the premises only via the EXIT/ENTRY zone.
7. During AWAY arming, the telephone line will be supervised hourly. If the telephone line is disconnected, a new trouble condition will be registered (please refer to View System Trouble).
8. User will be given an ENTRY delay time to disarm the system when enter the protected premises via ENTRY/EXIT zone.

[1] + [1 or 2]
(Press and hold down for 2 seconds)

9. It is also possible to AWAY arm by simply enter and hold down [1] key for 2 seconds.
10. Zone indicator [1] and [2] will flash.
11. Enter key [1] followed by key [2] to both partitions.



AWAY ARMING EITHER 1 PARTITION

If your user code has access to 2 partitions and you would like to arm Partition 1 only

[*] + [USER CODE] + [#] + [1] + [#]
(Leave via ENTRY/EXIT Zone)

If your user code has access to 2 partitions and you would like to arm Partition 2 only

[*] + [USER CODE] + [#] + [2] + [#]
(Leave via ENTRY/EXIT Zone)

1. Ensure that all zone indicators are distinguished; if not, check that all protected premises are closed.
2. Press the [*] key to cancel any unintended entries.
3. Enter a valid 4-digit [USER CODE]. If you enter mistakes, press [*] key and re-enter the code followed by [#] key to confirm your command.
4. Zone indicator [1] and [2] will flash. Enter the partition number that you wish to arm followed by [#] key.
5. The **P1** indicator will illuminate of Partition 1 is armed.
6. The **P2** indicator will illuminate of Partition 2 is armed.
7. The keypad audible indicator will sound on and off for the duration of the **EXIT** delay. Any bypassed zones will be shown by the flashing zone indicators.
8. Leave the premises only via the **EXIT/ENTRY** zone.
9. During AWAY arming, the telephone line will be supervised hourly. If the telephone line is disconnected, a new trouble condition will be registered (please refer to View System Trouble).
10. User will be given an **ENTRY** delay time to disarm the system when enter the protected premises via **ENTRY/EXIT** zone.

If your user code has access to 1 partition only

[*] + [USER CODE] + [#]
(Leave via ENTRY/EXIT Zone)

1. Ensure that all zone indicators are distinguished; if not, check that all protected premises are closed.
2. Press the [*] key to cancel any unintended entries.
3. Enter a valid 4-digit [USER CODE]. If you enter mistakes, press [*] key and re-enter the code followed by [#] key to confirm your command.
4. The **P1** indicator will illuminate if the entered user code is Partition 1 user code.
5. The **P2** indicator will illuminate if the entered user code is Partition 2 user code.
6. The keypad audible indicator will sound on and off for the duration of the **EXIT** delay. Any bypassed zones will be shown by the flashing zone indicators.
7. Leave the premises only via the **EXIT/ENTRY** zone.
8. During AWAY arming, the telephone line will be supervised hourly. If the telephone line is disconnected, a new trouble condition will be registered (please refer to View System Trouble).
9. User will be given an **ENTRY** delay time to disarm the system when enter the protected premises via **ENTRY/EXIT** zone.

FASTKEY AWAY ARMING EITHER 1 PARTITION

[1] + [1 or 2] + [#]
(Press and hold down for 2 seconds)

1. Ensure that all zone indicators are distinguished; if not, check that all protected premises are closed.
2. Enter and hold down key **[1]** for 2 seconds.
3. Zone indicator **[1]** and **[2]** will flash.
4. Enter key **[1]** to arm Partition 1 or enter key **[2]** to arm Partition 2 followed by **[#]** key.
5. The **P1** indicator will illuminate of Partition 1 is armed.
6. The **P2** indicator will illuminate of Partition 2 is armed.
7. Leave the premises only via the **EXIT/ENTRY** zone.
8. During AWAY arming, the telephone line will be supervised hourly. If the telephone line is disconnected, a new trouble condition will be registered (please refer to View System Trouble).
9. User will be given an **ENTRY** delay time to disarm the system when enter the protected premises via **ENTRY/EXIT** zone.

PARTITION DAY ARMING

[2] + [1 or 2] + [#]
(Press and hold down for 2 seconds)

1. This arming mode is ideal for **DAY** time arming with user still remains in the protected premises.
2. In this mode, system will be armed instantly with certain preprogrammed, **DAY STAY** zones bypassed automatically.
3. Ensure that all zone indicators are distinguished; if not, check that all protected premises are closed.
4. DO NOT open the **ENTRY/EXIT** zone.
5. Enter and hold down key **[2]** for 2 seconds.
6. Zone indicator **[1]** and **[2]** will flash.
7. Enter key **[1]** to arm Partition 1 or enter key **[2]** to arm Partition 2 followed by **[#]** key.
8. The **P1** indicator will illuminate of Partition 1 is armed.
9. The **P2** indicator will illuminate of Partition 2 is armed.
10. Any **DAY STAY** zones will be automatically bypassed (shown by flashing zone indicators).
11. User will be given an **ENTRY** delay time to disarm the system when enter the protected premises via **ENTRY/EXIT** zone.

PARTITION NIGHT ARMING

[3] + [1 or 2] + [#]
(Press and hold down for 2 seconds)

1. This arming mode is ideal for **NIGHT** time arming with user still remains in the protected premises.
2. In this mode, system will be armed instantly with certain preprogrammed, **NIGHT STAY** zones bypassed automatically.
3. Ensure that all zone indicators are distinguished; if not, check that all protected premises are closed.
4. DO NOT open the **ENTRY/EXIT** zone.
5. Enter and hold down key **[3]** for 2 seconds.
6. Zone indicator **[1]** and **[2]** will flash.
7. Enter key **[1]** to arm Partition 1 or enter key **[2]** to arm Partition 2 followed by **[#]** key.
8. The **P1** indicator will illuminate of Partition 1 is armed.
9. The **P2** indicator will illuminate of Partition 2 is armed.
10. Any **NIGHT STAY** zones will be automatically bypassed (shown by flashing zone indicators).
11. There is no **ENTRY** delay in this arming mode. Any violation on the active zones will trigger the system instantly.

PARTITION FORCE ARMING

[4] + [1 or 2] + [#]
(Press and hold down for 2 seconds)

1. In this mode, the system will be armed with EXIT delay time which allows certain violated zones to be bypassed temporary. When the violated zones resume, the zone will be protected again.
2. Enter and hold down key **[4]** for 2 seconds.
3. Zone indicator **[1]** and **[2]** will flash.
4. Enter key **[1]** to arm Partition 1 or enter key **[2]** to arm Partition 2 followed by **[#]** key.
5. The **P1** indicator will illuminate of Partition 1 is armed.
6. The **P2** indicator will illuminate of Partition 2 is armed.
7. Keypad audible indicator will sound on and off for the duration of the **EXIT** delay. Any bypassed zones will be shown by the flashing zone indicators.
8. User will be given an **ENTRY** delay time to disarm the system when enter the protected premises via **ENTRY/EXIT** zone.

PARTITION HOLIDAY ARMING

[0] + [1 or 2] + [#]
(Press and hold down for 2 seconds)

1. This arming mode is ideal for long away occasion (holiday).
2. In this mode, the system will be **AWAY** armed. Home Automation points will be random ON/OFF every hour to simulate occupancy from 7pm to 1am.
3. Ensure that all zone indicators are distinguished; if not, check that all protected premises are closed.
4. Enter and hold down **[0]** key for 2 seconds.
5. Zone indicator **[1]** and **[2]** will flash.
6. Enter key **[1]** to arm Partition 1 or enter key **[2]** to arm Partition 2 followed by **[#]** key.
7. The **P1** indicator will illuminate of Partition 1 is armed.
8. The **P2** indicator will illuminate of Partition 2 is armed.
9. Keypad audible indicator will sound on and off for the duration of the **EXIT** delay. Any bypassed zones will be shown by the flashing zone indicators.
10. Leave the premises only via the **EXIT/ENTRY** zone.
11. User will be given an **ENTRY** delay time to disarm the system when enter the protected premises via **ENTRY/EXIT** zone.
12. After disarming, Home Automation random ON/OFF function will be deactivated and the system will resume to normal Home Automation ON/OFF timers setting.

PARTITION DISARMING**[USER CODE] + [#]**

1. To disarm the system, enter a valid 4-digit **[USER CODE]** followed by **[#]** key before expiry of the entry delay time.
2. Enter the premises through a designated **ENTRY/EXIT** zone; entering via other zones will trigger an alarm instantly.
3. The **ENTRY** delay begins once the **ENTRY** zone is violated.
4. The keypad audible indicator will sound for the duration of the **ENTRY** delay to indicate that a valid user code is required.
5. Zone indicator **[1]** and **[2]** will flash.
6. Enter key **[1]** to disarm Partition 1 or enter key **[2]** to disarm Partition 2 followed by **[#]** key.
7. The **P1** indicator will turn off if Partition 1 is disarmed.
8. The **P2** indicator will turn off if Partition 2 is disarmed.
9. If the **P1** or **P2** indicators remain illuminated, an error has been made while entering the user code, press **[*]** key and re-enter the user code.
10. Once the system is disarmed, the **P1** indicator will extinguish and the keypad audible indicator will stop.
11. If no valid user code has been entered by the end of the **ENTRY** delay period, an **ALARM** condition will be registered and stored into the system **MEMORY**.
12. If programmed to do so, the keypad will be locked and non-responsive for a preprogrammed period for certain number of incorrect user codes, which are entered consecutively more than the keypad lock counter (Please refer to Installer Programming Section – Keypad Lock Counter).
13. If the **ENTRY** delay is too short, have your installer to change the **ENTRY** delay period.
14. If the **MEMORY** indicator is flashing upon entry, there has been an intrusion. Call for assistance. The intruder may still be inside.

USER PROGRAMMING MODE**ENTER USER PROGRAMMING MODE**

[*] [MODE] + [USER MASTER CODE] + [#]

1. Ensure that the system is not ARMED.
2. Press the **[*]** key to cancel any unintended entries.
3. Press **[MODE]** key to go into **USER PROGRAMMING** mode.
4. Enter a valid 4-digit **[USER MASTER CODE]**. If you enter any mistakes, press **[*]** key and repeat step 3.
5. If a wrong USER MASTER CODE is entered, a long beep will be sound. Repeat step 3-4 to enter USER PROGRAMMING MODE.
6. The **POWER** and **SERVICE** indicators will slow flash and the keypad audible indicator will sound 2 beeps if a valid USER MASTER CODE is entered.
7. Enter **COMMAND ADDRESS** according to the setting that you wish to change (Please refer to User Programming Summary Table at page 7-9).
8. To exit user programming mode, press **[MODE]** followed by **[#]** key.

EXIT USER PROGRAMMING MODE

[MODE] + [#]

1. Once all setting is programmed, press **[MODE]** followed by **[#]** key to exit.
2. The **POWER** and **SERVICE** indicators will stop flashing.
3. The keypad will sound 2 beeps to confirm the exit command.

USER CODE

Master code is a 4-digit personal identification number that allows you to enter certain programming mode, arm or disarm the system and remotely control the system via telephone line. In addition to Master Code, P900-V16 can be programmed to accept 13 user codes that allow you to arm/disarm the system. The default Master Code is "1234".

Besides, Master code, User code 2, User code 3 and User code 4 are allowed to remotely control the system via telephone line. User codes 5 to 14 are local control code. All user codes access level (ARMING only, DISARMING ONLY or Both) are programmable. Please refer to your installer for further detail.

Door Access Code is a special 4-digit code that allows you to control a single door access system. The Door Access Code cannot arm or disarm the security system.

Duress Code is an ambush code which will disarm the system and simultaneously send a silent alarm signal to the center monitoring station. It is very useful code when you are forced to disarm your security system under threat.

PROGRAM NEW AND CHANGING EXISTING USER CODE

[COMMAND ADDRESS] + [NEW CODE] + [RE-ENTER NEW CODE] + [#]

1. Ensure that the system is in USER PROGRAMMING mode.
2. Enter **[COMMAND ADDRESS]** that you wish to change **[01-14]**.
3. Enter the new 4-digit **[USER CODE]** and re-enter the new 4-digit **[USER CODE]** followed by **[#]** key.
4. Repeat step 2-3 to enter or change other user codes.
5. If any of the user codes are not used, please ensure that they are all erased.
6. To exit user programming mode, press **[MODE]** followed by **[#]** key.

PROGRAM NEW AND CHANGING EXISTING DOOR ACCESS CODE

[COMMAND ADDRESS] + [NEW CODE] + [RE-ENTER NEW CODE] + [#]

1. Ensure that the system is in USER PROGRAMMING mode.
2. Enter command address **[15]**.
3. Enter the new 4-digit **[USER CODE]** and re-enter the new 4-digit **[USER CODE]** followed by **[#]** key.
4. Repeat step 2-3 to enter or change other user codes.
5. If any of the user codes are not used, please ensure that they are all erased.
6. To exit user programming mode, press **[MODE]** followed by **[#]** key.

PROGRAM NEW AND CHANGING EXISTING DURESS CODE

[COMMAND ADDRESS] + [NEW CODE] + [RE-ENTER NEW CODE] + [#]

1. Ensure that the system is in USER PROGRAMMING mode.
2. Enter command address **[16]**.
3. Enter the new 4-digit **[USER CODE]** and re-enter the new 4-digit **[USER CODE]** followed by **[#]** key.
4. Repeat step 2-3 to enter or change other user codes.
5. If any of the user codes are not used, please ensure that they are all erased.
6. To exit user programming mode, press **[MODE]** followed by **[#]** key.

ERASE USER, DOOR ACCESS or DURESS CODE

[COMMAND ADDRESS] + [0000] + [0000] + [#]

1. Ensure that the system is in USER PROGRAMMING mode.
2. Enter **[COMMAND ADDRESS]** that you wish to erase followed by **[#]** key.
3. Enter the 4-digit **[0000]** and re-enter the 4-digit **[0000]** followed by **[#]** key.
4. Repeat step 2-3 to erase other user codes.
5. Master and Duress codes cannot be erased.
6. To exit user programming mode, press **[MODE]** followed by **[#]** key.

PROGRAM SYSTEM TIMER**[17] + [CURRENT TIME] + [#]**

1. Ensure that the system is in USER PROGRAMMING mode.
2. Enter **[17]** for system timer setting.
3. Enter the **[CURRENT TIME]** in 24-hour format, e.g. 8:00pm is 20:00.
4. Enter **[#]** key to confirm the time.
5. To exit user programming mode, press **[MODE]** followed by **[#]** key.

PROGRAM PARTITION 1 AUTO ARM TIMER**[18] + [AUTO ARM TIMER] + [#]**

1. Ensure that the system is in USER PROGRAMMING mode.
2. Enter **[18]** for auto arm timer setting.
3. Enter the **[AUTO ARM TIMER]** in 24-hour format, e.g. 8:00pm is 20:00.
4. Enter **[#]** key to confirm the time.
5. To exit user programming mode, press **[MODE]** followed by **[#]** key.

TO ERASE PARTITION 1 AUTO ARM TIMER**[18] + [#]**

1. Ensure that the system is in USER PROGRAMMING mode.
2. Enter **[18]** for auto arm timer setting.
3. Enter the **[#]** key to erase previous AUTO ARM TIMER setting.
4. To exit user programming mode, press **[MODE]** followed by **[#]** key.

PROGRAM PARTITION 1 AUTO DISARM TIMER**[19] + [AUTO DISARM TIMER] + [#]**

1. Ensure that the system is in USER PROGRAMMING mode.
2. Enter **[19]** for auto disarm timer setting.
3. Enter the **[AUTO DISARM TIMER]** in 24-hour format, e.g. 8:00pm is 20:00.
4. Enter **[#]** key to confirm the time.
5. To exit user programming mode, press **[MODE]** followed by **[#]** key.

TO ERASE PARTITION 1 AUTO DISARM TIMER**[19] + [#]**

1. Ensure that the system is in USER PROGRAMMING mode.
2. Enter **[19]** for auto disarm timer setting.
3. Enter the **[#]** key to erase previous AUTO DISARM TIMER setting.
4. To exit user programming mode, press **[MODE]** followed by **[#]** key.

PROGRAM PARTITION 2 AUTO ARM TIMER**[20] + [AUTO ARM TIMER] + [#]**

1. Ensure that the system is in USER PROGRAMMING mode.
2. Enter **[20]** for auto arm timer setting.
3. Enter the **[AUTO ARM TIMER]** in 24-hour format, e.g. 8:00pm is 20:00.
4. Enter **[#]** key to confirm the time.
5. To exit user programming mode, press **[MODE]** followed by **[#]** key.

TO ERASE PARTITION 2 AUTO ARM TIMER**[20] + [#]**

1. Ensure that the system is in USER PROGRAMMING mode.
2. Enter **[20]** for auto arm timer setting.
3. Enter the **[#]** key to erase previous AUTO ARM TIMER setting.
4. To exit user programming mode, press **[MODE]** followed by **[#]** key.

PROGRAM PARTITION 2 AUTO DISARM TIMER**[21] + [AUTO DISARM TIMER] + [#]**

1. Ensure that the system is in USER PROGRAMMING mode.
2. Enter **[21]** for auto disarm timer setting.
3. Enter the **[AUTO DISARM TIMER]** in 24-hour format, e.g. 8:00pm is 20:00.
4. Enter **[#]** key to confirm the time.
5. To exit user programming mode, press **[MODE]** followed by **[#]** key.

TO ERASE PARTITION 2 AUTO DISARM TIMER**[21] + [#]**

1. Ensure that the system is in USER PROGRAMMING mode.
2. Enter **[21]** for auto disarm timer setting.
3. Enter the **[#]** key to erase previous AUTO DISARM TIMER setting.
4. To exit user programming mode, press **[MODE]** followed by **[#]** key.

PROGRAM AUTO ON TIMER 1 FOR HOME AUTOMATION**[22] + [AUTO ON TIMER 1] + [#]**

1. Ensure that the system is in USER PROGRAMMING mode.
2. Enter **[22]** for auto on timer 1 setting.
3. Enter the **[AUTO ON TIMER 1]** in 24-hour format, e.g. 8:00pm is 20:00.
4. Enter **[#]** key to confirm the time.
5. To exit user programming mode, press **[MODE]** followed by **[#]** key.

TO ERASE AUTO ON TIMER 1 FOR HOME AUTOMATION**[22] + [#]**

1. Ensure that the system is in USER PROGRAMMING mode.
2. Enter **[22]** for auto on timer 1 setting.
3. Enter the **[#]** key to erase previous AUTO ON TIMER 1 setting.
4. To exit user programming mode, press **[MODE]** followed by **[#]** key.

PROGRAM AUTO OFF TIMER 1 FOR HOME AUTOMATION**[23] + [AUTO OFF TIMER 1] + [#]**

1. Ensure that the system is in USER PROGRAMMING mode.
2. Enter **[23]** for auto off timer 1 setting.
3. Enter the **[AUTO OFF TIMER 1]** in 24-hour format, e.g. 8:00pm is 20:00.
4. Enter **[#]** key to confirm the time.
5. To exit user programming mode, press **[MODE]** followed by **[#]** key.

TO ERASE AUTO OFF TIMER 1 FOR HOME AUTOMATION**[23] + [#]**

1. Ensure that the system is in USER PROGRAMMING mode.
2. Enter **[23]** for auto off timer 1 setting.
3. Enter the **[#]** key to erase previous AUTO OFF TIMER 1 setting.
4. To exit user programming mode, press **[MODE]** followed by **[#]** key.

PROGRAM AUTO ON TIMER 2 FOR HOME AUTOMATION**[24] + [AUTO ON TIMER 2] + [#]**

1. Ensure that the system is in USER PROGRAMMING mode.
2. Enter **[24]** for auto on timer 2 setting.
3. Enter the **[AUTO ON TIMER 2]** in 24-hour format, e.g. 8:00pm is 20:00.
4. Enter **[#]** key to confirm the time.
5. To exit user programming mode, press **[MODE]** followed by **[#]** key.

TO ERASE AUTO ON TIMER 2 FOR HOME AUTOMATION**[24] + [#]**

1. Ensure that the system is in USER PROGRAMMING mode.
2. Enter **[24]** for auto on timer 2 setting.
3. Enter the **[#]** key to erase previous AUTO ON TIMER 2 setting.
4. To exit user programming mode, press **[MODE]** followed by **[#]** key.

PROGRAM AUTO OFF TIMER 2 FOR HOME AUTOMATION**[25] + [AUTO OFF TIMER 2] + [#]**

1. Ensure that the system is in USER PROGRAMMING mode.
2. Enter **[25]** for auto off timer 2 setting.
3. Enter the **[AUTO OFF TIMER 2]** in 24-hour format, e.g. 8:00pm is 20:00.
4. Enter **[#]** key to confirm the time.
5. To exit user programming mode, press **[MODE]** followed by **[#]** key.

TO ERASE AUTO OFF TIMER 2 FOR HOME AUTOMATION**[25] + [#]**

1. Ensure that the system is in USER PROGRAMMING mode.
2. Enter **[25]** for auto off timer 2 setting.
3. Enter the **[#]** key to erase previous AUTO OFF TIMER 2 setting.
4. To exit user programming mode, press **[MODE]** followed by **[#]** key.

PROGRAM AUTO ON TIMER 3 FOR HOME AUTOMATION**[26] + [AUTO ON TIMER 3] + [#]**

1. Ensure that the system is in USER PROGRAMMING mode.
2. Enter **[26]** for auto on timer 3 setting.
3. Enter the **[AUTO ON TIMER 3]** in 24-hour format, e.g. 8:00pm is 20:00.
4. Enter **[#]** key to confirm the time.
5. To exit user programming mode, press **[MODE]** followed by **[#]** key.

TO ERASE AUTO ON TIMER 3 FOR HOME AUTOMATION**[26] + [#]**

1. Ensure that the system is in USER PROGRAMMING mode.
2. Enter **[26]** for auto on timer 3 setting.
3. Enter the **[#]** key to erase previous AUTO ON TIMER 3 setting.
4. To exit user programming mode, press **[MODE]** followed by **[#]** key.

PROGRAM AUTO OFF TIMER 3 FOR HOME AUTOMATION**[27] + [AUTO OFF TIMER 3] + [#]**

1. Ensure that the system is in USER PROGRAMMING mode.
2. Enter **[27]** for auto off timer 3 setting.
3. Enter the **[AUTO OFF TIMER 3]** in 24-hour format, e.g. 8:00pm is 20:00.
4. Enter **[#]** key to confirm the time.
5. To exit user programming mode, press **[MODE]** followed by **[#]** key.

TO ERASE AUTO OFF TIMER 3 FOR HOME AUTOMATION**[27] + [#]**

1. Ensure that the system is in USER PROGRAMMING mode.
2. Enter **[27]** for auto off timer 3 setting.
3. Enter the **[#]** key to erase previous AUTO OFF TIMER 3 setting.
4. To exit user programming mode, press **[MODE]** followed by **[#]** key.

PROGRAM AUTO ON TIMER 4 FOR HOME AUTOMATION**[28] + [AUTO ON TIMER 3] + [#]**

1. Ensure that the system is in USER PROGRAMMING mode.
2. Enter **[28]** for auto on timer 4 setting.
3. Enter the **[AUTO ON TIMER 4]** in 24-hour format, e.g. 8:00pm is 20:00.
4. Enter **[#]** key to confirm the time.
5. To exit user programming mode, press **[MODE]** followed by **[#]** key.

TO ERASE AUTO ON TIMER 4 FOR HOME AUTOMATION**[28] + [#]**

1. Ensure that the system is in USER PROGRAMMING mode.
2. Enter **[28]** for auto on timer 4 setting.
3. Enter the **[#]** key to erase previous AUTO ON TIMER 4 setting.
4. To exit user programming mode, press **[MODE]** followed by **[#]** key.

PROGRAM AUTO OFF TIMER 4 FOR HOME AUTOMATION**[29] + [AUTO OFF TIMER 4] + [#]**

1. Ensure that the system is in USER PROGRAMMING mode.
2. Enter **[29]** for auto off timer 4 setting.
3. Enter the **[AUTO OFF TIMER 4]** in 24-hour format, e.g. 8:00pm is 20:00.
4. Enter **[#]** key to confirm the time.
5. To exit user programming mode, press **[MODE]** followed by **[#]** key.

TO ERASE AUTO OFF TIMER 4 FOR HOME AUTOMATION**[29] + [#]**

1. Ensure that the system is in USER PROGRAMMING mode.
2. Enter **[29]** for auto off timer 4 setting.
3. Enter the **[#]** key to erase previous AUTO OFF TIMER 4 setting.
4. To exit user programming mode, press **[MODE]** followed by **[#]** key.

PROGRAM PERSONAL TELEPHONE NUMBER 1**[30] + [PERSONAL TELEPHONE NUMBER 1] + [#]**

1. Ensure that the system is in USER PROGRAMMING mode.
2. Enter **[30]** for personal telephone number 1 setting.
3. Enter the **[PERSONAL TELEPHONE NUMBER 1]**, the maximum telephone number length is 14 digits.
4. Button **"P"** on the keypad is representing a "PAUSE" key of 5 seconds duration.
5. Button **"M"** on the keypad is representing a " * " key.
6. Enter **[#]** key to confirm the setting.
7. If programmed so, system will call out to user telephone to report any intrusion.
8. If the system fails to contact the preprogrammed personal telephone number 1, system will contact PERSONAL TELEPHONE NUMBER 2 as a backup.
9. To exit user programming mode, press **[MODE]** followed by **[#]** key.

TO ERASE PERSONAL TELEPHONE NUMBER 1**[30] + [#]**

1. Ensure that the system is in USER PROGRAMMING mode.
2. Enter **[30]** for personal telephone number 1 setting.
3. Enter the **[#]** key to erase previous personal telephone number 1 setting.
4. To exit user programming mode, press **[MODE]** followed by **[#]** key.

PROGRAM PERSONAL TELEPHONE NUMBER 2 (BACK-UP)**[31] + [PERSONAL TELEPHONE NUMBER 2] + [#]**

1. Ensure that the system is in USER PROGRAMMING mode.
2. Enter **[31]** for personal telephone number 2 setting.
3. Enter the **[PERSONAL TELEPHONE NUMBER 2]**, the maximum telephone number length is 14 digits.
4. Button **"P"** on the keypad is representing a "PAUSE" key of 5 seconds duration.
5. Button **"M"** on the keypad is representing a " * " key.
6. Enter **[#]** key to confirm the setting.
7. If programmed so, system will call out to user telephone to report any intrusion.
8. The USER TELEPHONE NUMBER 2 is a back-up reporting telephone number. System will only call through USER TELEPHONE NUMBER 2 if it fails to report through USER TELEPHONE NUMBER 1 during intrusion. If the system fails to report through both of the telephone numbers, system will contact PERSONAL TELEPHONE NUMBER 3 as a backup.
9. To exit user programming mode, press **[MODE]** followed by **[#]** key.

TO ERASE PERSONAL TELEPHONE NUMBER 2**[31] + [#]**

1. Ensure that the system is in USER PROGRAMMING mode.
2. Enter **[31]** for personal telephone number 2 setting.
3. Enter the **[#]** key to erase previous personal telephone number 2 setting.
4. To exit user programming mode, press **[MODE]** followed by **[#]** key.

PROGRAM PERSONAL TELEPHONE NUMBER 3 (BACK-UP)**[32] + [PERSONAL TELEPHONE NUMBER 3] + [#]**

1. Ensure that the system is in USER PROGRAMMING mode.
2. Enter **[32]** for personal telephone number 3 setting.
3. Enter the **[PERSONAL TELEPHONE NUMBER 3]**, the maximum telephone number length is 14 digits.
4. Button "**P**" on the keypad is representing a "PAUSE" key of 5 seconds duration.
5. Button "**M**" on the keypad is representing a " * " key.
6. Enter **[#]** key to confirm the setting.
7. If programmed so, system will call out to user telephone to report any intrusion.
8. The USER TELEPHONE NUMBER 3 is a back-up reporting telephone number. System will only call through USER TELEPHONE NUMBER 3 if it fails to report through USER TELEPHONE NUMBER 1 and 2 during intrusion. If the system fails to report through USER TELEPHONE NUMBER 1, 2 or 3, system will contact PERSONAL TELEPHONE NUMBER 4 as a backup.
9. To exit user programming mode, press **[MODE]** followed by **[#]** key.

TO ERASE PERSONAL TELEPHONE NUMBER 3**[32] + [#]**

1. Ensure that the system is in USER PROGRAMMING mode.
2. Enter **[32]** for personal telephone number 3 setting.
3. Enter the **[#]** key to erase previous personal telephone number 3 setting.
4. To exit user programming mode, press **[MODE]** followed by **[#]** key.

PROGRAM PERSONAL TELEPHONE NUMBER 4 (BACK-UP)**[33] + [PERSONAL TELEPHONE NUMBER 4] + [#]**

1. Ensure that the system is in USER PROGRAMMING mode.
2. Enter **[33]** for personal telephone number 4 setting.
3. Enter the **[PERSONAL TELEPHONE NUMBER 4]**, the maximum telephone number length is 14 digits.
4. Button **"P"** on the keypad is representing a "PAUSE" key of 5 seconds duration.
5. Button **"M"** on the keypad is representing a " * " key.
6. Enter **[#]** key to confirm the setting.
7. If programmed so, system will call out to user telephone to report any intrusion.
8. The USER TELEPHONE NUMBER 4 is a back-up reporting telephone number. System will only call through USER TELEPHONE NUMBER 4 if it fails to report through USER TELEPHONE NUMBER 1, 2 or 3 during intrusion. If the system fails to report through all of the telephone numbers, a new trouble condition will be registered (please refer to View System Trouble).
9. To exit user programming mode, press **[MODE]** followed by **[#]** key.

TO ERASE PERSONAL TELEPHONE NUMBER 4**[33] + [#]**

1. Ensure that the system is in USER PROGRAMMING mode.
2. Enter **[33]** for personal telephone number 4 setting.
3. Enter the **[#]** key to erase previous personal telephone number 4 setting.
4. To exit user programming mode, press **[MODE]** followed by **[#]** key.

OPTIONAL GSM MODULE REPORTING**PROGRAM GSM PERSONAL TELEPHONE NUMBER 1****[34] + [GSM PERSONAL TELEPHONE NUMBER 1] + [#]**

1. Ensure that the system is in USER PROGRAMMING mode.
2. Enter **[34]** for personal telephone number 1 setting.
3. Enter the **[GSM PERSONAL TELEPHONE NUMBER 1]**, the maximum telephone number length is 14 digits.
4. Button **"P"** on the keypad is representing a "PAUSE" key of 5 seconds duration.
5. Button **"M"** on the keypad is representing a " * " key.
6. Enter **[#]** key to confirm the setting.
7. If programmed so, system will call out to user telephone to report any intrusion.
8. If the system fails to contact the preprogrammed GSM personal telephone number 1, system will contact GSM PERSONAL TELEPHONE NUMBER 2 as a backup.
9. To exit user programming mode, press **[MODE]** followed by **[#]** key.

TO ERASE GSM PERSONAL TELEPHONE NUMBER 1**[34] + [#]**

1. Ensure that the system is in USER PROGRAMMING mode.
2. Enter **[34]** for GSM personal telephone number 1 setting.
3. Enter the **[#]** key to erase previous personal telephone number 1 setting.
4. To exit user programming mode, press **[MODE]** followed by **[#]** key.

PROGRAM GSM PERSONAL TELEPHONE NUMBER 2 (BACK-UP)**[35] + [GSM PERSONAL TELEPHONE NUMBER 2] + [#]**

1. Ensure that the system is in USER PROGRAMMING mode.
2. Enter **[35]** for personal telephone number 2 setting.
3. Enter the **[GSM PERSONAL TELEPHONE NUMBER 2]**, the maximum telephone number length is 14 digits.
4. Button **"P"** on the keypad is representing a "PAUSE" key of 5 seconds duration.
5. Button **"M"** on the keypad is representing a " * " key.
6. Enter **[#]** key to confirm the setting.
7. If programmed so, system will call out to user telephone to report any intrusion.
8. The USER GSM TELEPHONE NUMBER 2 is a back-up reporting telephone number. System will only call through USER GSM TELEPHONE NUMBER 2 if it fails to report through USER GSM TELEPHONE NUMBER 1 during intrusion. If the system fails to report through both of the telephone numbers, system will contact GSM PERSONAL TELEPHONE NUMBER 3 as a backup.
9. To exit user programming mode, press **[MODE]** followed by **[#]** key.

TO ERASE GSM PERSONAL TELEPHONE NUMBER 2**[35] + [#]**

1. Ensure that the system is in USER PROGRAMMING mode.
2. Enter **[35]** for GSM personal telephone number 2 setting.
3. Enter the **[#]** key to erase previous GSM personal telephone number 2 setting.
4. To exit user programming mode, press **[MODE]** followed by **[#]** key.

PROGRAM GSM PERSONAL TELEPHONE NUMBER 3 (BACK-UP)**[36] + [GSM PERSONAL TELEPHONE NUMBER 3] + [#]**

1. Ensure that the system is in USER PROGRAMMING mode.
2. Enter **[36]** for personal telephone number 3 setting.
3. Enter the **[GSM PERSONAL TELEPHONE NUMBER 3]**, the maximum telephone number length is 14 digits.
4. Button "**P**" on the keypad is representing a "PAUSE" key of 5 seconds duration.
5. Button "**M**" on the keypad is representing a " * " key.
6. Enter **[#]** key to confirm the setting.
7. If programmed so, system will call out to user telephone to report any intrusion.
8. The USER GSM TELEPHONE NUMBER 3 is a back-up reporting telephone number. System will only call through USER GSM TELEPHONE NUMBER 3 if it fails to report through USER GSM TELEPHONE NUMBER 1 and 2 during intrusion. If the system fails to report through USER GSM TELEPHONE NUMBER 1, 2 or 3, system will contact GSM PERSONAL TELEPHONE NUMBER 4 as a back up.
9. To exit user programming mode, press **[MODE]** followed by **[#]** key.

TO ERASE GSM PERSONAL TELEPHONE NUMBER 3**[36] + [#]**

1. Ensure that the system is in USER PROGRAMMING mode.
2. Enter **[36]** for GSM personal telephone number 3 setting.
3. Enter the **[#]** key to erase previous GSM personal telephone number 3 setting.
4. To exit user programming mode, press **[MODE]** followed by **[#]** key.

PROGRAM GSM PERSONAL TELEPHONE NUMBER 4 (BACK-UP)**[37] + [GSM PERSONAL TELEPHONE NUMBER 4] + [#]**

1. Ensure that the system is in USER PROGRAMMING mode.
2. Enter **[37]** for GSM personal telephone number 4 setting.
3. Enter the **[GSM PERSONAL TELEPHONE NUMBER 4]**, the maximum telephone number length is 14 digits.
4. Button **"P"** on the keypad is representing a "PAUSE" key of 5 seconds duration.
5. Button **"M"** on the keypad is representing a " * " key.
6. Enter **[#]** key to confirm the setting.
7. If programmed so, system will call out to user telephone to report any intrusion.
8. The USER GSMTELEPHONE NUMBER 4 is a back-up reporting telephone number. System will only call through USER GSM TELEPHONE NUMBER 4 if it fails to report through USER GSM TELEPHONE NUMBER 1, 2 or 3 during intrusion. If the system fails to report through all of the telephone numbers, a new trouble condition will be registered (please refer to View System Trouble).
9. To exit user programming mode, press **[MODE]** followed by **[#]** key.

TO ERASE GSM PERSONAL TELEPHONE NUMBER 4**[37] + [#]**

1. Ensure that the system is in USER PROGRAMMING mode.
2. Enter **[37]** for GSM personal telephone number 4 setting.
3. Enter the **[#]** key to erase previous GSM personal telephone number 4 setting.
4. To exit user programming mode, press **[MODE]** followed by **[#]** key.

KEYPAD BUZZER SOUND**[MODE] + [6] + [#]**

1. Each keypad buzzer sound can be muted individually.
2. Ensure that the system is in USER PROGRAMMING mode.
3. Enter **[MODE], [6] followed by [#]**.
4. Keypad audible indicator will sound 2 beeps if a valid step is entered.
5. To activate the keypad buzzer sound, repeat steps 2 to 4.

TESTING THE SYSTEM

Users are advised to test the system as frequent as possible. System must be tested at least once every 3 months. If the system is not functioning accordingly, please contact your system installer for technical assistance.

WALK TEST

[MODE] + [1] + [#]

1. Walk Test allows on-site testing of each zone of the system.
2. During walk test mode, the **P1**, **P2** and **SERVICE** indicators will slow flash.
3. Siren will trigger for 2 seconds and keypad buzzer will sound briefly if any zone is violated during walk test mode.
4. If siren and keypad do not sound when zone is violated, consult your system installer.
5. To exit Walk Test, simply press [#] key.

CMS TEST (Manual Test)

[MODE] + [2] + [#]

6. CMS Test allows on-site testing of CMS Reporting.
7. A CMS testing code will be sent to the central monitoring station.
8. Wait for 2 minutes, if CMS reporting fails then a new trouble condition will be registered.
9. Press and hold down [7] key for 2 seconds to view trouble condition and consult your system installer.

SIREN TEST

[MODE] + [3] + [#]

1. Siren Test allows on-site testing of siren functionality.
2. Siren will sound for 3 seconds.
3. If siren does not sound, consult your system installer.

STROBE LIGHT TEST

[MODE] + [4] + [#]

1. Strobe Light Test allows on-site testing of strobe light functionality.
2. Strobe light will flash for 15 seconds.
3. If strobe light does not flash, consult your system installer.

BATTERY TEST

[MODE] + [5] + [#]

1. Battery Test allows on-site testing of battery functionality.
2. Wait for 5 seconds, if back-up battery fails then a new trouble condition will be registered.
3. Press and hold down [7] key for 2 seconds to view the trouble condition and consult your system installer.



SYSTEM INFORMATION

SECURITY ZONE INFORMATION

Zone No.	Partition 1 or 2 or both	Zone Type e.g. Entry/Exit Delay	Location e.g. Main door
1			
2			
3			
4			
5			
6			
7			
8			
9			
10			
11			
12			
13			
14			
15			
16			



SYSTEM INFORMATION

Partition 1

Entry Time Partition 1 : _____ seconds
 Exit Time Partition 1 : _____ seconds
 Siren Cut-Off Time for Partition 1 : _____ minutes

Partition 2

Entry Time Partition 2 : _____ seconds
 Exit Time Partition 2 : _____ seconds
 Siren Cut-Off Time for Partition 2 : _____ minutes

Telephone Reporting

Telephone Number 1 : _____
 Telephone Number 2 : _____
 Telephone Number 3 : _____
 Telephone Number 4 : _____
 Dialing Attempt : _____ times

OPTIONAL GSM Telephone Reporting

Telephone Number 1 : _____
 Telephone Number 2 : _____
 Telephone Number 3 : _____
 Telephone Number 4 : _____

Home Automation

Home Automation 1 Turn On Time ____ : ____ am / pm
 Home Automation 1 Turn Off Time ____ : ____ am / pm
 Home Automation 2 Turn On Time ____ : ____ am / pm
 Home Automation 2 Turn Off Time ____ : ____ am / pm

 Home Automation 3 Turn On Time ____ : ____ am / pm
 Home Automation 3 Turn Off Time ____ : ____ am / pm
 Home Automation 4 Turn On Time ____ : ____ am / pm
 Home Automation 5 Turn Off Time ____ : ____ am / pm

Servicing

Installer's company : _____
 Contact person : _____
 Contact number : _____
 Installation Date : ____ / ____ / ____