



TC-C320N 1ANB-28

Turret Camera

AK Series



KEY FEATURES

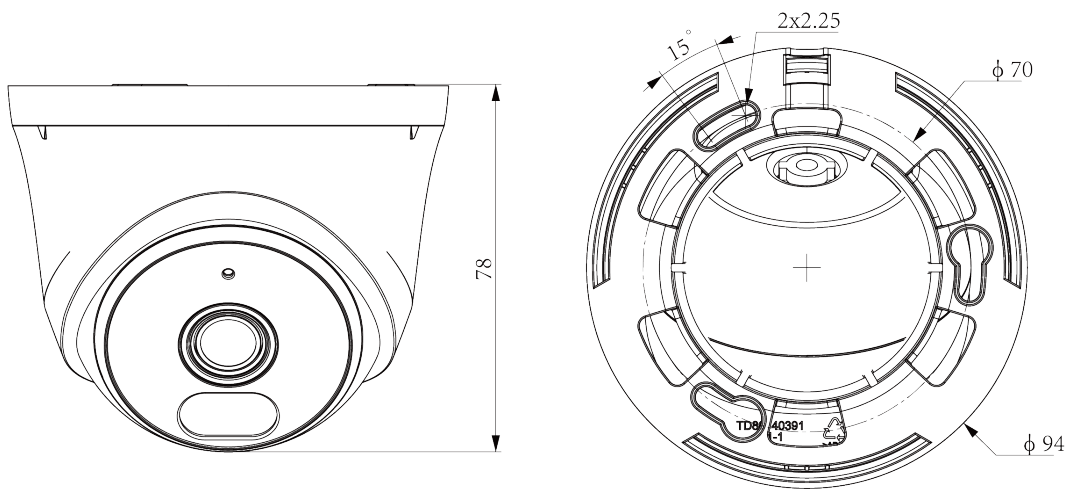
- Plastic housing
- Up to 2MP,1920×1080@30fps
- S+265/H.265/H.264B/H.264M/H.264H
- Color:0.02Lux@(F1.6,AGC ON),B/W:0Lux with IR
- IR range up to 30m
- 1× Built-in Mic
- Operating conditions -30°C~60°C(-22°F~140°F), ≤95%RH
- PoE:IEEE 802.3af,Max. 2.5W

SPECIFICATIONS

| Camera | |
|----------------------|---|
| Image Sensor | 1/3" CMOS |
| Min. Illumination | Color:0.02Lux@(F1.6,AGC ON),B/W:0Lux with IR |
| Shutter Time | 1s~1/100000s |
| Day&Night | IR-cut filter with auto switch (ICR) |
| Smart IR | Yes |
| WDR | DWDR |
| S/N | >52dB |
| Angle Adjustment | 0~340°(P); 0~75°(T); 0~360°(R) |
| Lens | |
| Lens Type | Fixed focal lens |
| Focal Length | 2.8mm |
| Lens Mount | M12 |
| Aperture Range | F1.6 |
| Aperture Type | Fixed |
| Field of View | 90.7°(H); 50.9°(V); 102.7°(D) |
| DORI Distance | Detect:41.48m Observe:16.46m Recognize:8.3m Identify:4.1m |
| Illuminator | |
| IR LEDs | 2 |
| IR Distance | Up to 30m |
| Wavelength | 850nm |
| White LEDs | 2 |
| Whitelight Distance | Up to 15m |
| Compression Standard | |
| Video Compression | S+265/H.265/H.264B/H.264M/H.264H |
| Video Bit Rate | 32k~4Mbps |
| Audio Compression | G.711A/G.711U |
| Audio Sampling Rate | 8kHz |
| Image | |
| Max. Resolution | 2MP,1920×1080@30fps |
| Main Stream | PAL:25fps(1920×1080, 1280×720) NTSC:30fps(1920×1080, 1280×720) |
| Sub Stream | PAL:25fps(704×576, 704×288, 640×360, 352×288) NTSC:30fps(704×480, 704×240, 640×360, 352×240) |
| BLC | Yes |

| | |
|-------------------------|---|
| HLC | Yes |
| AGC | Yes |
| 3D DNR | Yes |
| White Balance | Auto/Semi-Auto/Manual/Sunshine/Nature Light/Warmlight Lamp/Daylight Lamp/Filament Lamp/Lock White Balance |
| OSD | Overlay of additional characters in 1 regions, 1 line, with a maximum of 48 characters; 16*16/32*32/48*48; Lattice |
| Privacy Mask | 4 black static areas |
| Defog | Yes |
| Feature | |
| General Alarm | Motion Detection |
| Exceptions Alarm | IP Address Conflict |
| Network | |
| Protocols | RTSP; HTTP; TCP; UDP; ICMP; DHCP; DNS; NTP; IPv4; SSH; Unicast |
| System Compatibility | ONVIF(Profile S/T) ; SDK; CGI; Milestone |
| Remote Connection | ≤2 |
| Client | Easy7 VMS |
| Web | IE10+; Firefox52+; Edge89+; Safari11+; Chrome57+ |
| Interface | |
| Communication Interface | 1×RJ-45 (10/100 Base-T) |
| Built-in Mic | 1×Built-in Mic |
| General | |
| Web Client Language | English |
| Operating Temperature | -30°C~60°C(-22°F~140°F) |
| Operating Humidity | ≤95%RH |
| Storage Temperature | -30°C~60°C(-22°F~140°F) |
| Storage Humidity | 10%~95%RH(non-condensing) |
| Power Supply | PoE:IEEE 802.3af,Max. 2.5W |
| Protection | Surge4000V; ESD6000V |
| Boundary Dimensions | 94(L)94(W)78(H)mm |
| Package Dimensions | 105(L)105(W)85(H)mm |
| GrossWeight | 0.17kg |

DIMENSIONS (Unit: mm)



Assembly diagram of Junction Box



TC-P54BM Spec:V5